

Blind hollow shaft $\varnothing 10$ to $\varnothing 14$ mm

Optical multiturn encoders max. 17 bit ST / 16 bit MT, EtherCAT

ATD 2B A 4 Y26



ATD 2B A 4 Y26 with blind hollow shaft

Features

- Encoder single- or multiturn / EtherCAT
- Optical sensing
- Resolution: max. singleturn 17 bit, multiturn 16 bit
- Blind hollow shaft $\varnothing 10 \dots 14$ mm
- Short cycle times up to 62.5 μ s
- Parametrizable by bus interface
- Self-diagnostic
- Electronic zero point adjustment

Technical data - electrical ratings

Voltage supply	10...30 VDC
Reverse polarity protection	Yes
Consumption w/o load	≤ 150 mA (24 VDC)
Interface	EtherCAT
Function	Multiturn
Profile conformity	CANopen over EtherCAT
Operating mode	Full-Duplex Fast Ethernet physics (100 BASE-TX)
Steps per turn	≤ 131072 / 17 bit
Number of turns	≤ 65536 / 16 bit
Sensing method	Optical
Code sequence	CW: ascending values with clockwise sense of rotation; looking at mounting surface
Interference immunity	DIN EN 61000-6-2
Emitted interference	DIN EN 55011
Programmable parameters	Steps per revolution Total resolution Rotational direction CW/CCW Number of revolutions Operating modes
Diagnostic functions	Position or parameter error Temperature control Multiturn sensing Self-diagnosis
Status indicator	4-LED integrated in housing

Technical data - mechanical design

Dimensions (flange)	$\varnothing 58$ mm
Shaft type	$\varnothing 10 \dots 14$ mm (blind hollow shaft)
Protection DIN EN 60529	IP 65
Operating speed	≤ 8000 rpm (mechanical) ≤ 8000 rpm (electric)
Starting torque	≤ 0.02 Nm (+20 °C)
Materials	Housing: aluminium Shaft: stainless steel
Operating temperature	-20...+85 °C
Relative humidity	90 % non-condensing
Resistance	DIN EN 60068-2-6 Vibration 10 g, 55-2000 Hz DIN EN 60068-2-27 Shock 30 g, 11 ms
Weight approx.	340 g
Connection	Connector M12, female D-coded, 4-pin Connector M12, A-coded, 4-pin
Motor shaft tolerance	0.25 mm axial 0.1 mm radial
Mounting kit variant	019

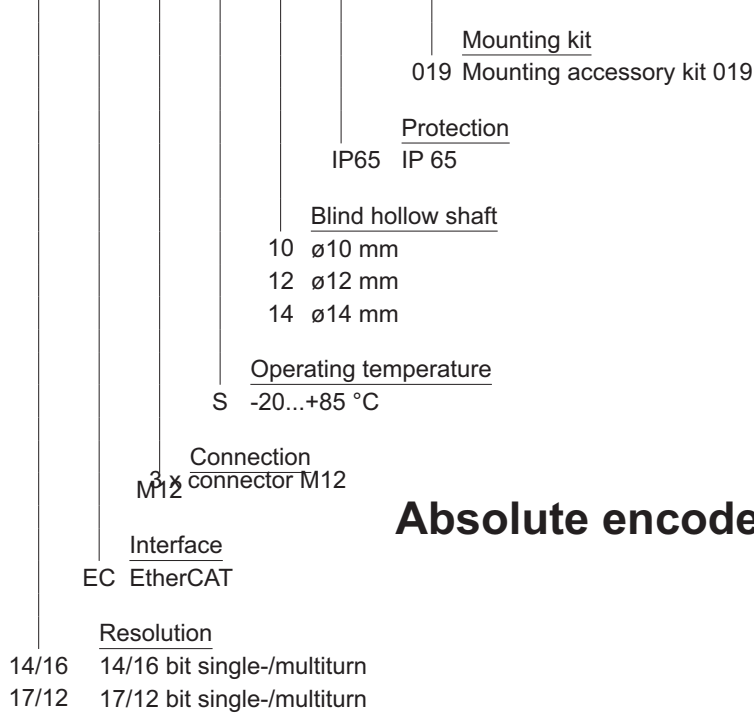
**Blind hollow shaft ø10 to ø14 mm
Optical multiturn encoders max. 17 bit ST / 16 bit MT, EtherCAT**

ATD 2B A 4 Y26

ATD 2B A 4 Y26 |

Part number

	EC	M12	S		IP65	019
--	-----------	------------	----------	--	-------------	------------



Absolute encoders - bus interfaces



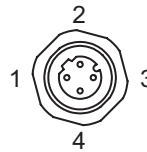
Blind hollow shaft $\varnothing 10$ to $\varnothing 14$ mm

Optical multiturn encoders max. 17 bit ST / 16 bit MT, EtherCAT

ATD 2B A 4 Y26

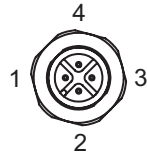
Terminal significance	
Bus-protocol	EtherCAT, (CANopen over EtherCAT)
Operation mode	Full-Duplex Ethernet physics (100 BASE-TX)
Communication	Modi: - Asynchron - Frame synchron - Distributed Clock synchron Cycle times: - min 62,5 μ s to max. 32 ms in Distributed Clock
Communication profile	compatible to CANopen according to DS 301
Device profile	according to DS 406
Diagnostic messages	position error, operating temperature overrun, battery, hardware error

Terminal assignment		
Connector Assignment		Significance
Pin 1	TxD+	Transmission data+
Pin 2	RxD+	Receiving data+
Pin 3	TxD-	Transmission data-
Pin 4	RxD-	Receiving data-



Socket, 4-poles, bush contacts, M12 D-coded (IN / OUT)

Connector Assignment		Significance
Pin 1	VDC	Supply voltage
Pin 2	–	Not assigned
Pin 3	GND	Ground
Pin 4	–	Not assigned



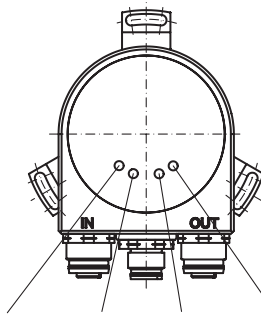
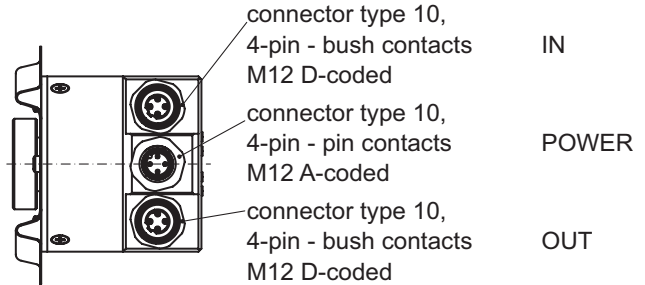
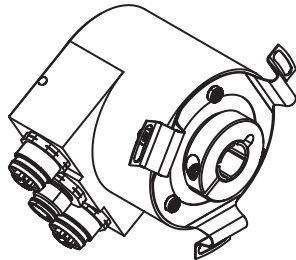
Socket, 4-poles, pin contacts, M12 A-coded (POWER)

**Blind hollow shaft $\varnothing 10$ to $\varnothing 14$ mm
Optical multiturn encoders max. 17 bit ST / 16 bit MT, EtherCAT**

ATD 2B A 4 Y26

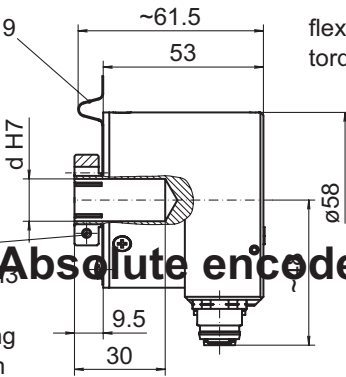
Dimensions

EtherCAT

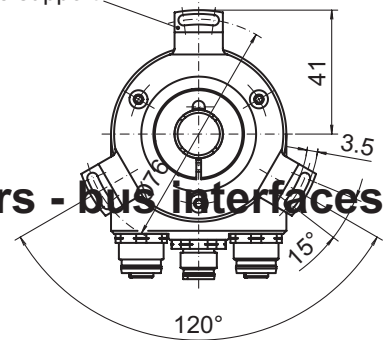


Link/Activity OUT (yellow) ERROR (red) RUN (green) Link/Activity IN (yellow)

mounting kit 19 (standard)



Absolute encoders - bus interfaces



028- 5 Y26